



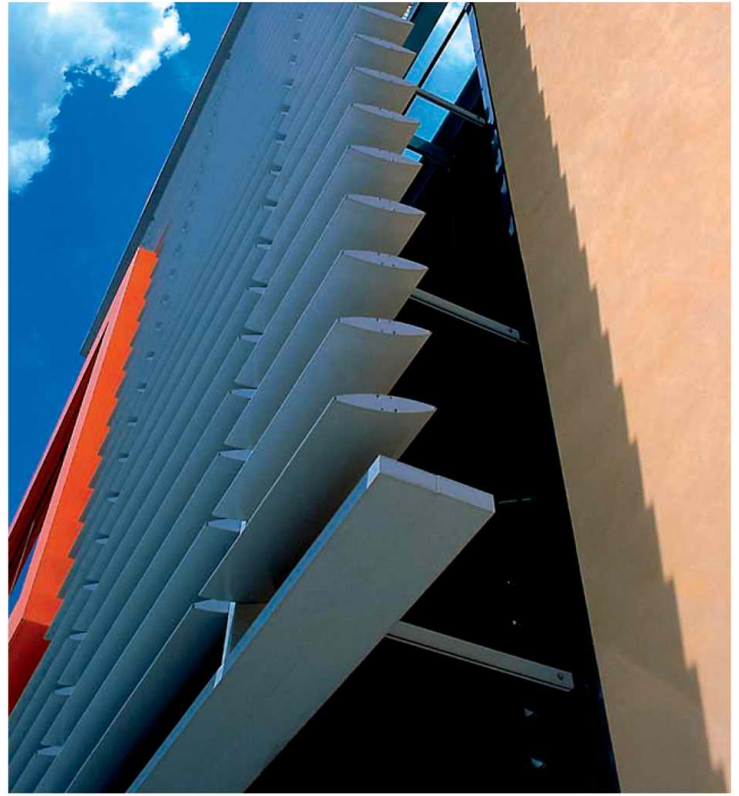
**Description:**

AF200~300 series Aerofoil Sun Louvers are medium size sun louvers system. The spacing between panels, spacing between carriers and installation space decrease accordingly. The system can match well with other decorative material and control the sunshine very well.

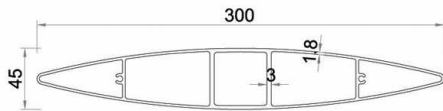
The installation way is flexible, it has 3 ways: A) using supporting roller to fix the AF Panel, B) using supporting bracket to fix the AF panel, C) using supporting panel to fix the AF panel.

This system can also be used as fence, the panel can be small size, and the spacing between panel can be small.

Colors and surface: Anodised, PVDF spraying, or powder coating, RAL colors and woodgrain colors available.

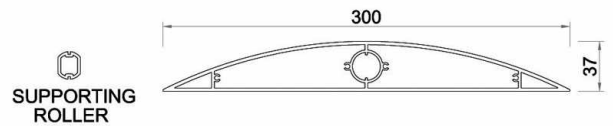


DX-AF300-1



MATERIAL	THICKNESS	RECOMMENDED MAX. LENGTH		COLORS
	mm	m	ft	
Aluminum	1.8	4.8	15.75	Various RAL and woodgrain colors available

DX-AF300-2

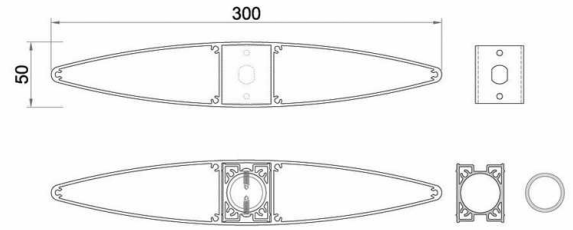


MATERIAL	THICKNESS	RECOMMENDED MAX. LENGTH		COLORS
	mm	m	ft	
Aluminum	2.5	4.8	15.75	Various RAL and woodgrain colors available



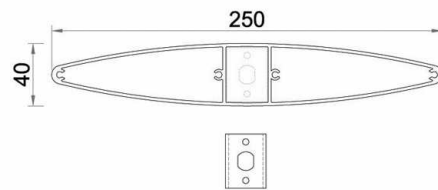
The AF series Aerofoil Sun Louvers can use the same installation structure of the existing decorative material. It's easy to install, and also reduce maximum material cost and installation cost.

**DX-AF300-3**



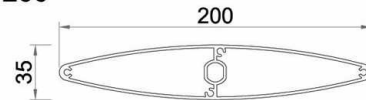
MATERIAL	THICKNESS	RECOMMENDED MAX. LENGTH		COLORS
		m	ft	
Aluminum	2.5	4.8	15.75	Various RAL and woodgrain colors available

**DX-AF250**

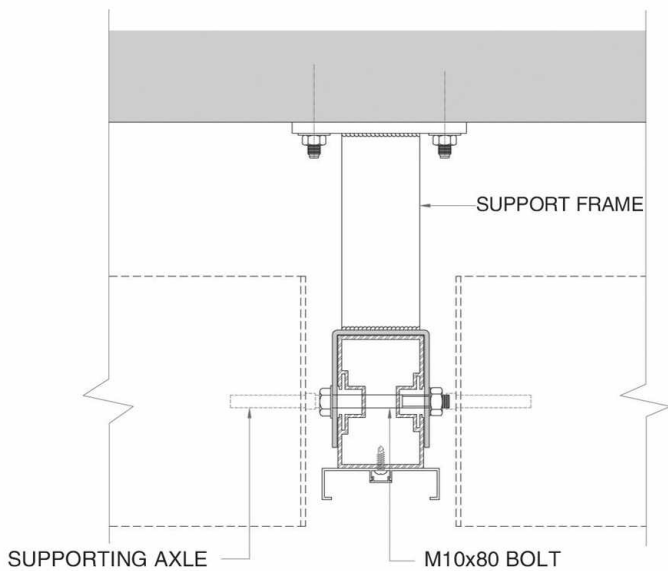


MATERIAL	THICKNESS	RECOMMENDED MAX. LENGTH		COLORS
		m	ft	
Aluminum	2.0	4.2	13.78	Various RAL and woodgrain colors available

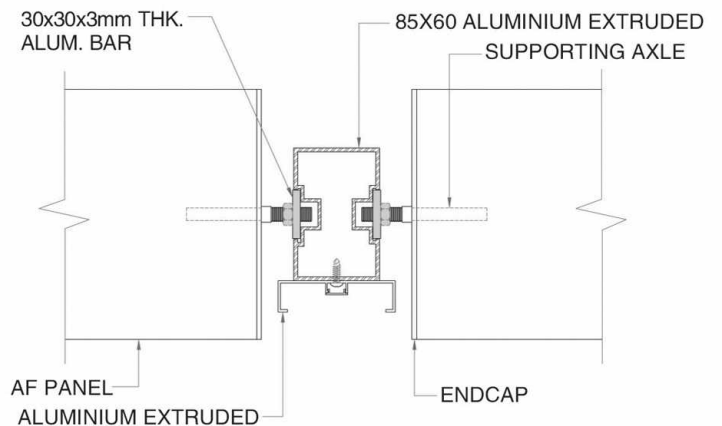
**DX-AF200**



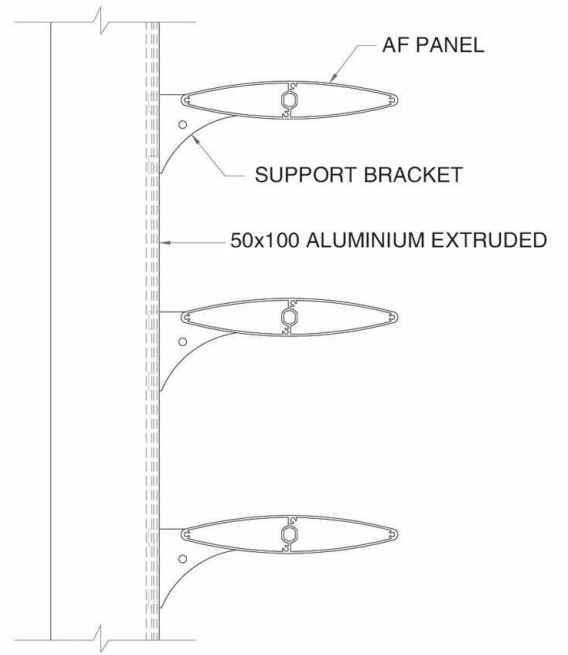
MATERIAL	THICKNESS	RECOMMENDED MAX. LENGTH		COLORS
		m	ft	
Aluminum	1.5	3.5	11.48	Various RAL and woodgrain colors available



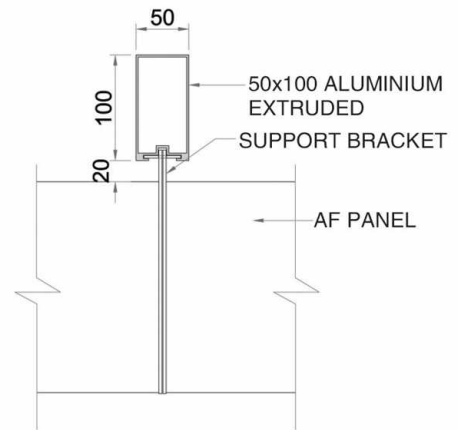
STRUCTURAL SECTION 1



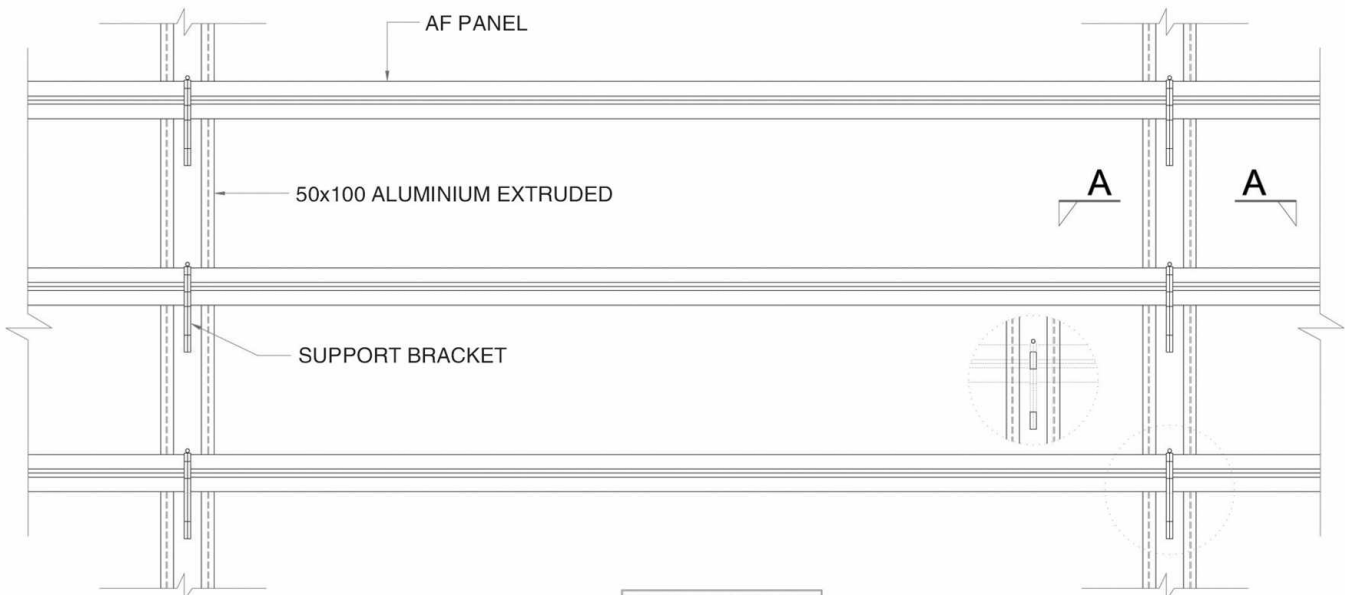
STRUCTURAL SECTION 2



SIDE ELEVATION



A-A SECTION



FRONT ELEVATION



AF series Aerofoil Sun Louvers are mainly in elliptic shape, other shapes can also be made according to customer's order, like trapezoidal, rhombic or other special design. The AF series of Aerofoil Sun Louvers can be curved, elliptic, or special corner treatment according to the decorative request and construction, it is supplied together with specially designed accessories.

