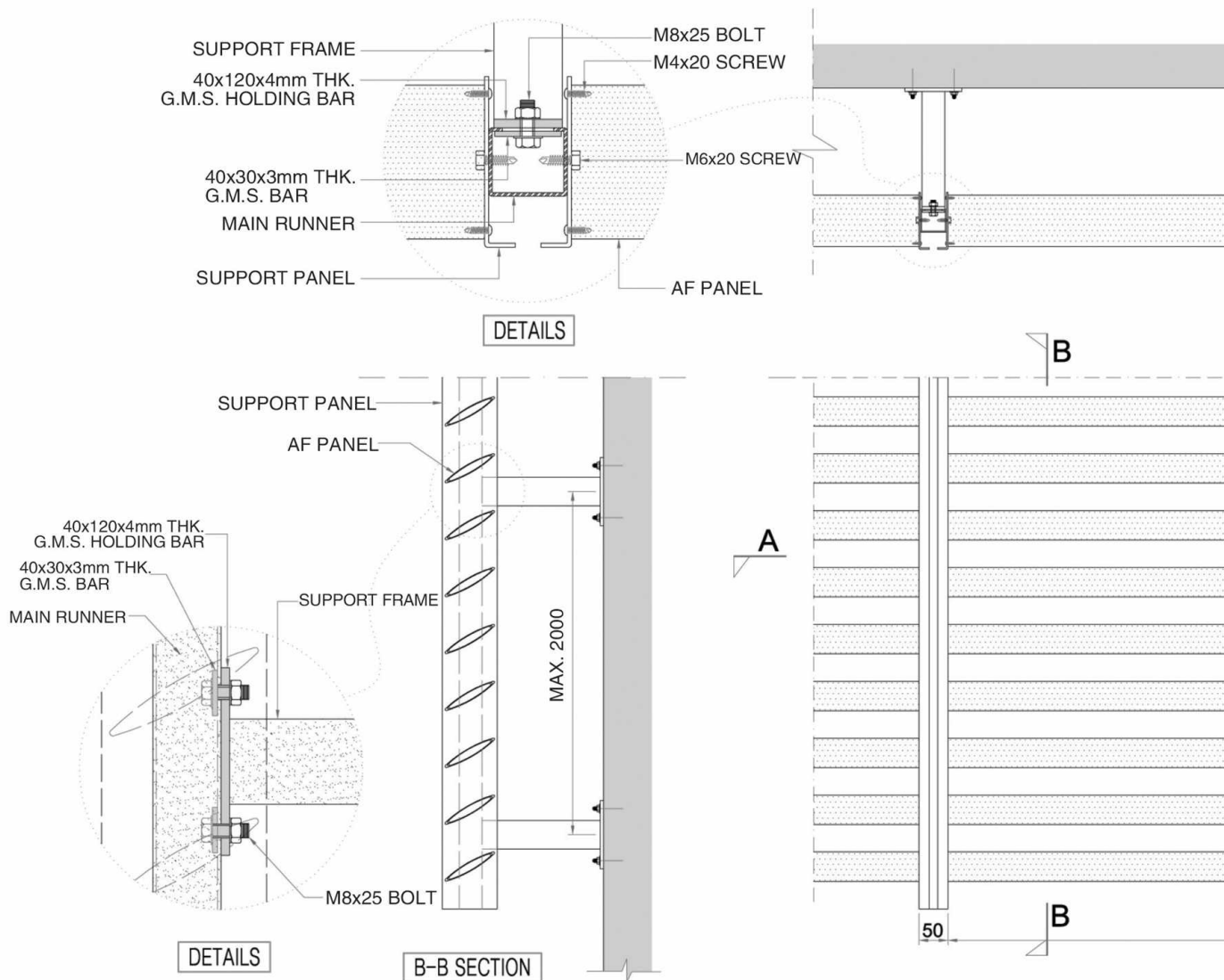


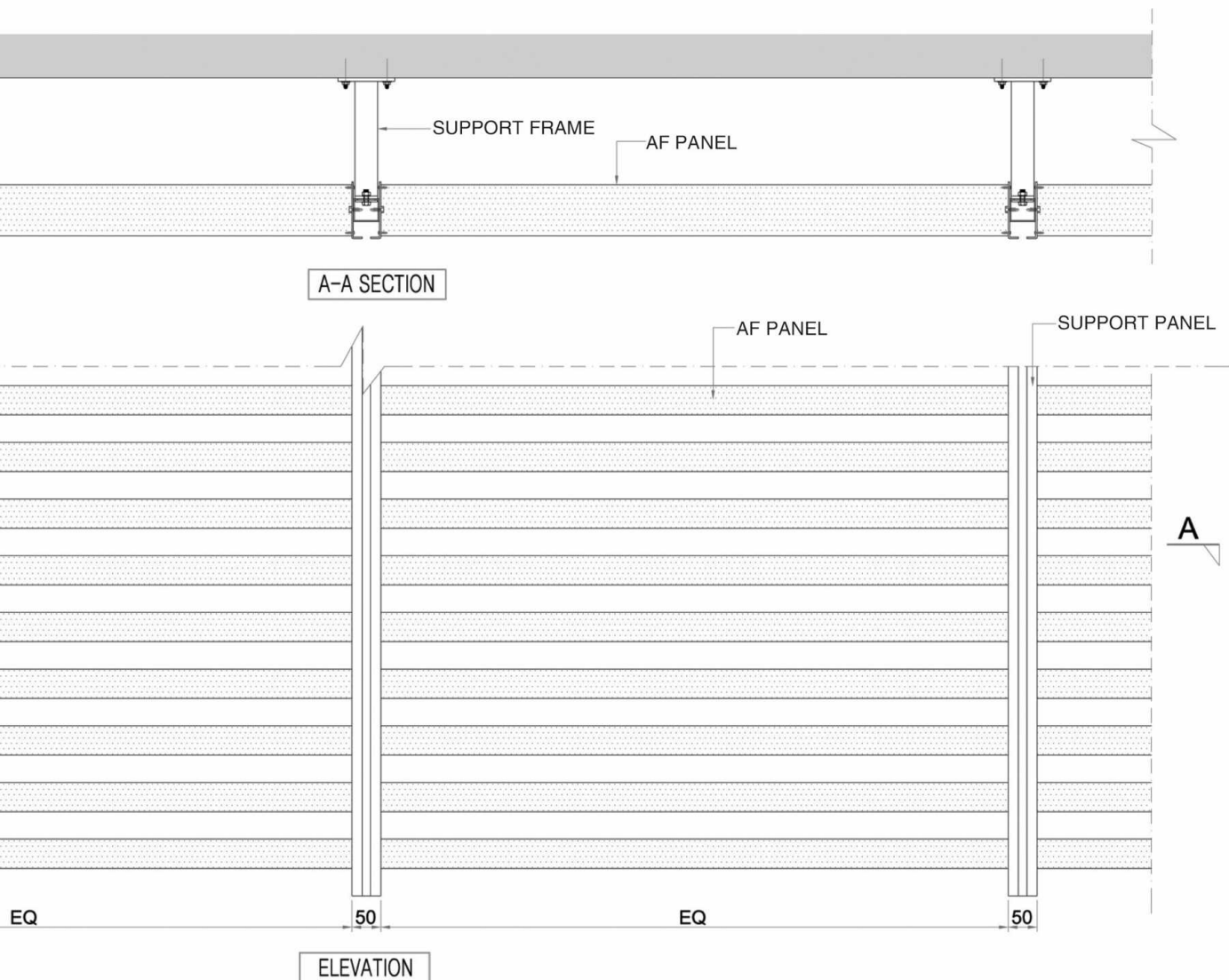


**Description:**

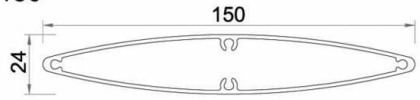
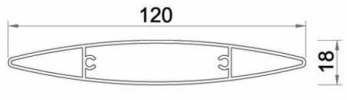
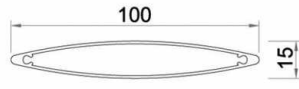
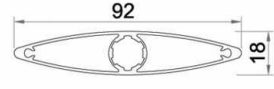
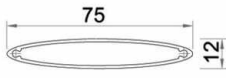
AF75-150 series Aerofoil Sun Louvers are small size sun louvers system. It's light and small space occupation, simple appearance and structure. This system can match well with other decorative material, and control the sunshine very well. It is widely utilized at office, house, factory, school, hospital, commercial and public buildings, to create better living and working conditions by controlling light infiltration.

The system has two installation ways: single frame and continuous frame. A) single frame way is to put the sun louvers panel into the aluminum or metal frame directly, it is used for door or window decoration and sun control design. B) continuous frame installation way is suitable for big size installation space. It is installed by supporting frame, consisting of main carrier and supporting panel, fixing the sun louvers panel into the supporting panel by screw. This installation way is easy and efficient cost.







<p><b>DX-AF150</b></p> 	<p><b>DX-AF120</b></p> 
<p><b>DX-AF100</b></p> 	<p><b>DX-AF92</b></p> 
<p><b>DX-AF75</b></p> 	

TYPE	DESCRIPTION	MATERIAL	THICKNESS	RECOMMENDED MAX. LENGTH-(EQ)		MAXIMUM DISTANCE BETWEEN CARRIERS	COLORS
				mm	m		
CARRIER	MAIN RUNNER	G.M.S. Plate	2.0	4	13.12		Various RAL and woodgrain colors available
	SUPPORT PANEL	Aluminum	2.5	2.4	7.87		
AF-LOUVERS PANEL	AF150	Aluminum	1.5	2.8	9.19	2850	Various RAL and woodgrain colors available
	AF120		1.3	2.2	7.22	2250	
	AF100		1.2	1.5	4.92	1550	
	AF92		1.1	1.8	5.91	1850	
	AF75		1.1	1.2	3.94	1250	

Colors and Surface: The surface of the panel can be anodized, PVDF spraying or powder coating. Various RAL colors and woodgrain colors are available.

