

## Description :

DEXONE BL series Box Sun Louvers are clip in system, directly clip the panel into the groove of carrier, no need any other accessory carrier. Angle and screw are all hidden into the "BOX" carrier, both panel and carrier are aluminum extrusion, in "BOX" shape. The decorative effect is the same from inside and outside view, so it can be used as both sun louvers and guardrail. It's elegant appearance, simple & fixed structure.

## Size and Options:

BL series Box Sun Louvers panel size: 20 × 80mm, 20 × 100mm, 25 × 100mm, 25 × 120mm, 30 × 120mm, 30 × 150mm, and other sizes, maximum length 6000mm, other size is available according to customer's design. The surface of the panel can be anodized, PVDF spraying or powder coating, various RAL and woodgrain colors are available for choice.



## Installation:

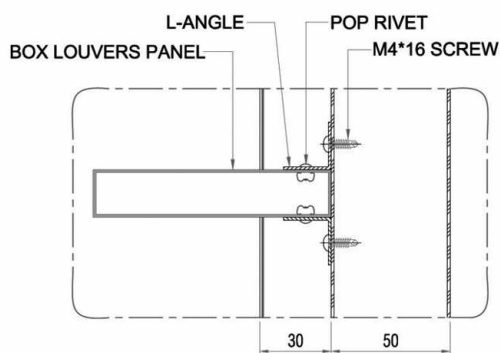
BL Series sun louvers are clip in system:

A) firstly according to the spacing of the panel, make groove in the carrier.

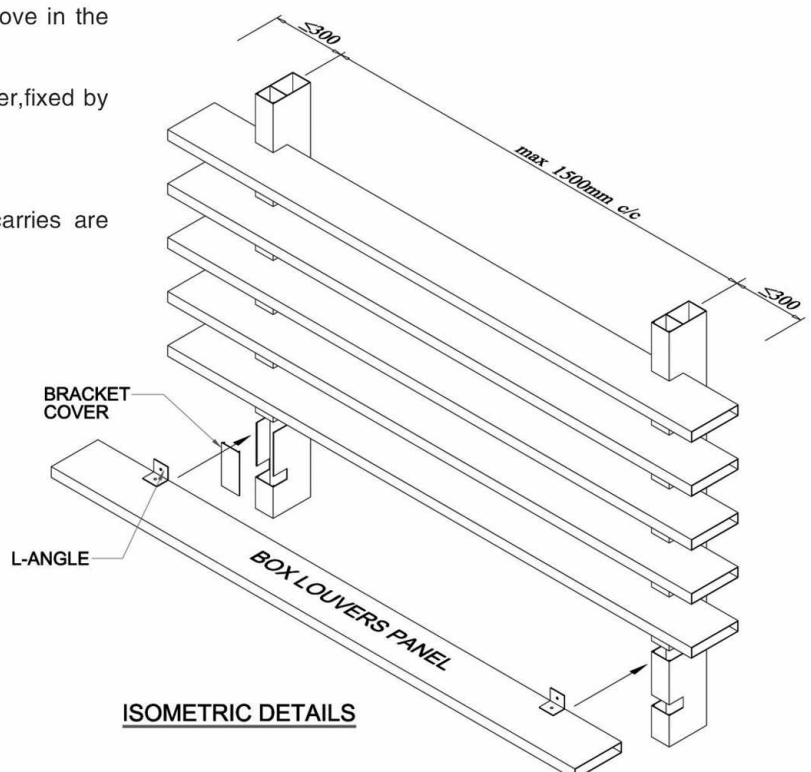
B) then directly clip the panel into the groove of the carrier, fixed by L-angle.

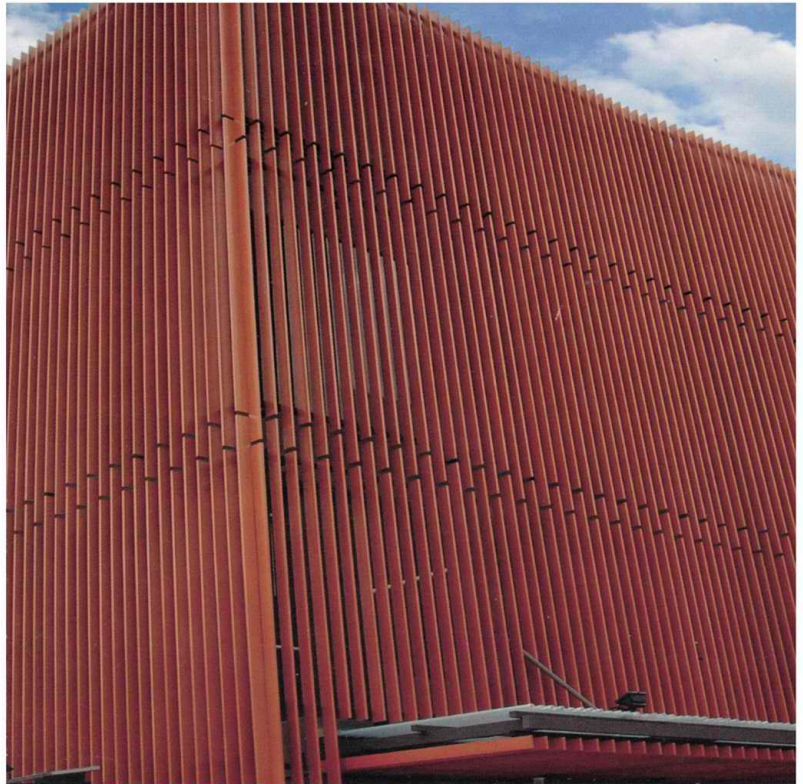
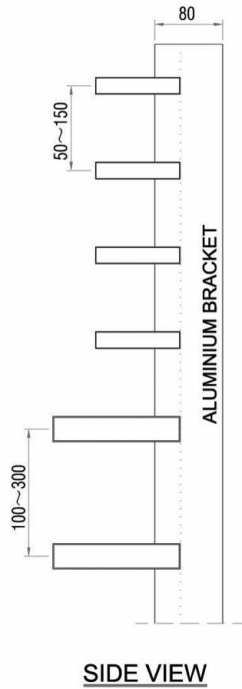
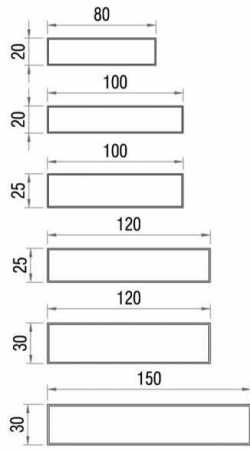
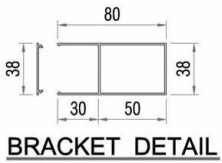
C) then install the endcap.

The maximum spacing of the carrier is 1500mm. The carriers are fixed to the wall or other structure by supporting angle.



TYPICAL DETAILS





DESCRIPTION		MATERIAL	THICKNESS	RECOMMENDED MAX. LENGTH		MAXIMUM DISTANCE BETWEEN CARRIERS	COLORS
				m	ft		
CARRIER		Aluminum	1.2	5.8	19.03	Inside: 900~1200 Outside: 1000~1500	Various RAL and woodgrain colors available
BOX LOUVERS PANEL	BL20*80	Aluminum	0.75	5.8	19.03	/	Various RAL and woodgrain colors available
	BL20*100		0.75				
	BL25*100		0.9				
	BL25*120		1.0				
	BL30*120		1.1				
	BL30*150		1.2				

