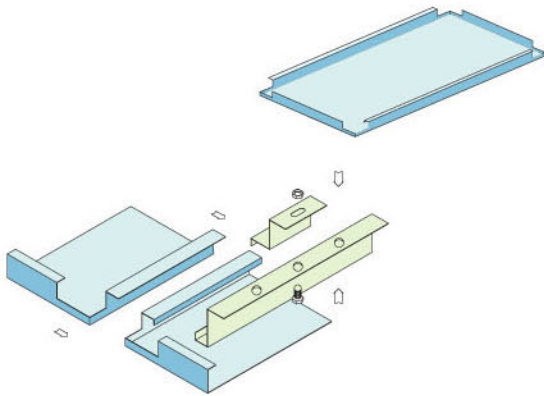
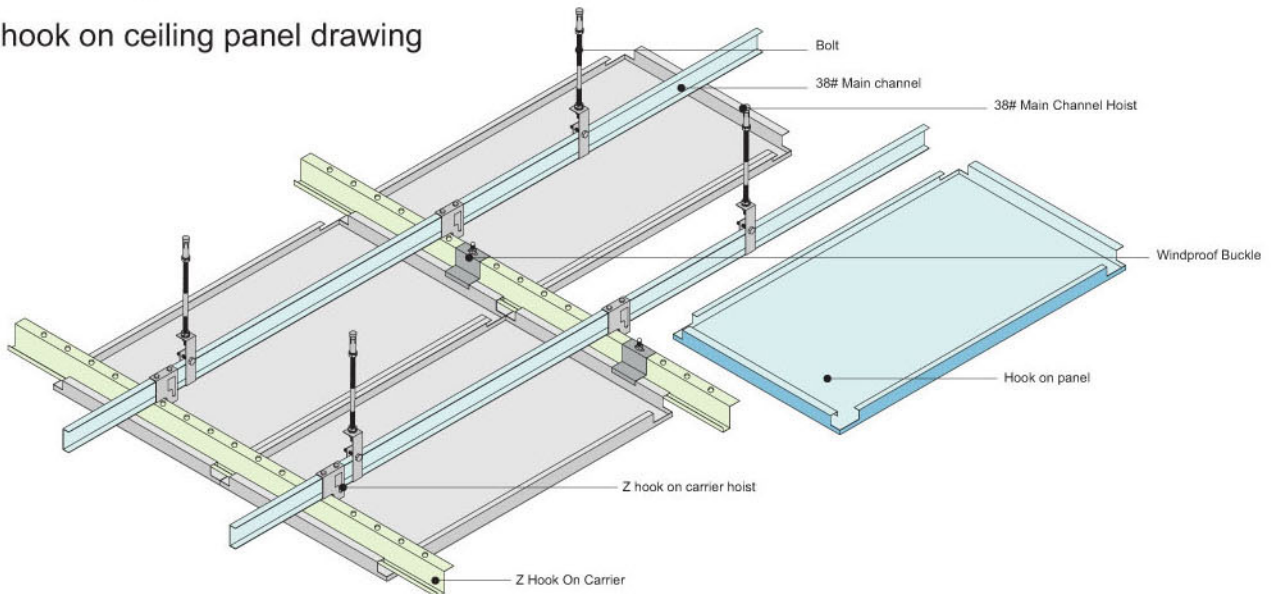


## Z HOOK ON CEILING PANEL

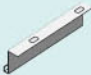

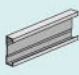





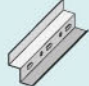
Material: aluminum or galvanized steel  
 Surface Treatment: powder coating or pre-painted  
 Thickness: 1.0-2.0mm  
 Size: on request  
 Color: RAL color and wooden grain colors are available for choice  
 Plain and perforated panels are optional, for perforated panels with black felt, sound absorption



Z hook on ceiling panel drawing



Structure and installation for Z hook on ceiling

 <p><b>Z HOOK ON CARRIER</b>                      Material: steel                      Surface treatment: G.I. steel                      Height: 50mm                      Length: 3000mm or on request.                      Thickness: 1.0mm or on request</p>	 <p><b>Z HOOK ON CARRIERHOIST</b>                      Material: steel                      Surface treatment: galvanized steel                      Height: 70mm                      Thickness: 1.0 mm or on request</p>	 <p><b>38# MAIN CHANNEL</b>                      Material: steel                      Surface treatment: galvanized steel                      Spec.: 38x12mm                      Length: 3000mm or on request                      Thickness: 0.8mm</p>	 <p><b>38# MAIN CHANNEL HOIST</b>                      Material: steel                      Surface treatment: galvanized steel                      Height: 95/105mm                      Thickness: 1.0mm</p>	 <p><b>WINDPROOF BUCKLE</b>                      Material: steel                      Surface treatment: galvanized steel                      Height: 38/50mm                      Thickness: 1.0mm</p>
 <p><b>BOLT</b>                      Material: steel                      Surface treatment: galvanized steel                      Length: 1000mm or 3000mm on request                      Thickness: 6/8mm</p>	 <p><b>MAIN CHANNEL CONNECTOR</b>                      Material: steel                      Surface treatment: galvanized steel                      Height: 41/53mm                      Thickness: 1.0mm</p>	 <p><b>WINDPROOF L SHAPED WALL ANGLE</b>                      Material: Aluminum alloy                      Surface treatment: Powder coating                      Spec.: 25x25mm                      Length: 3000mm or on request                      Thickness: 0.6mm or on request</p>	 <p><b>WINDPROOF W SHAPED WALL ANGLE</b>                      Material: Aluminum alloy                      Surface treatment: Powder coating                      Spec.: 24x11x11x24mm                      Length: 3000mm or on request                      Thickness: 0.6mm or on request</p>	